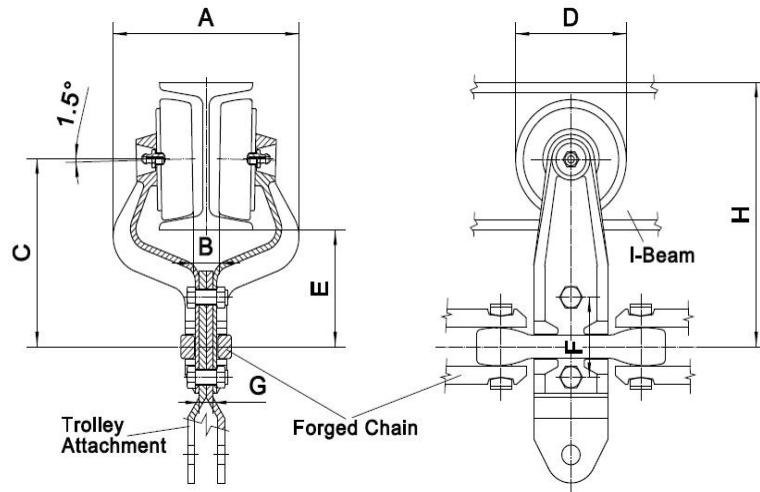


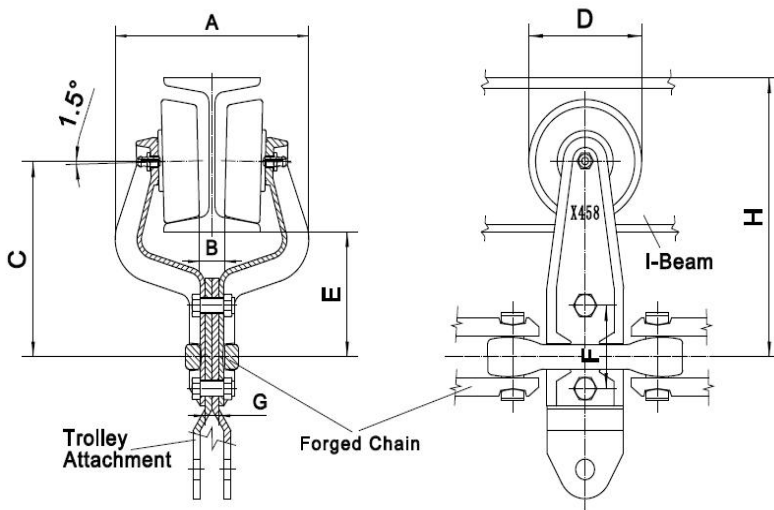
Trolley Size	Matched Chain	Trolley Dimensions								Trolley Capacity	Type
		A	B	C	D	E	F	G	H		
3"	348, 80	4.02"	0.55"	3.94"	2.35"	2.50"	1.88"	0.24"	5.5"	90kg	A, C
		102mm	14mm	100mm	59.6mm	63.5mm	47.8mm	6mm	139.7mm		

NOTE: Please consult with Camel Convey for requirements for not listed above.

Email: sales@camelconvey.com
www.camelconvey.com



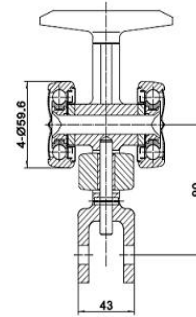
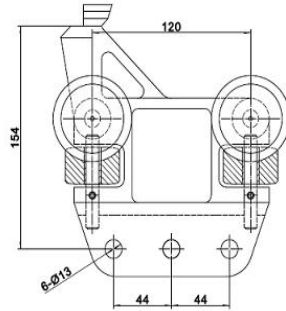
Trolley Size	Matched Chain	Trolley Dimensions								Trolley Capacity	Type
		A	B	C	D	E	F	G	H		
4"	458, 100	5.35"	0.71"	5.06"	3.19"	3.19"	2.13"	0.39"	7.187"	180kg	A
		136mm	18mm	128.6mm	81mm	81mm	54mm	10mm	182.6mm		
4"	458, 100	5.35"	0.71"	5.91"	3.19"	4.02"	2.13"	0.39"	8"	180kg	A
		136mm	18mm	150mm	81mm	102mm	54mm	10mm	203.2mm		



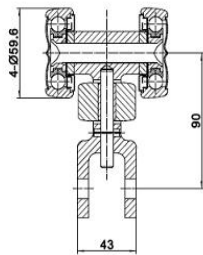
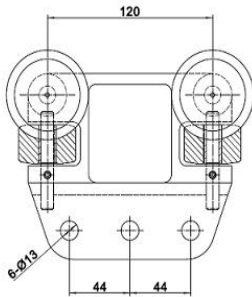
Trolley Size	Matched Chain	Trolley Dimensions								Trolley Capacity	Type
		A	B	C	D	E	F	G	H		
4"	458, 100	5.35"	0.71"	5"	3.15"	3.19"	2.13"	0.39"	7.187"	180kg	B
		136mm	18mm	127mm	80mm	81mm	54mm	10mm	182.6mm		

NOTE: Please consult with Camel Convey for requirements for not listed above.

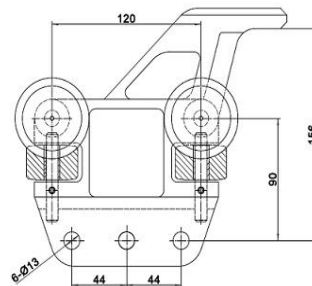
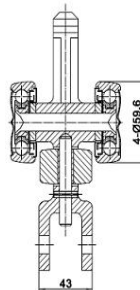
Email: sales@camelconvey.com
www.camelconvey.com



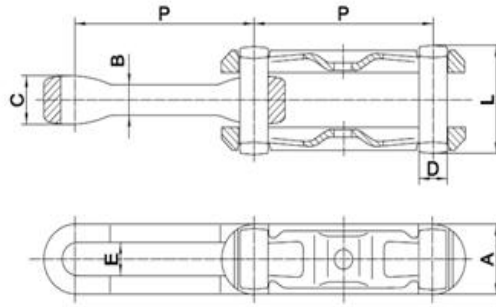
Trolley Size	Trolley Dimensions					Type
	A	B	D	d	L	
4"	9.76"	7.64"	3.23"	0.65"	4.33"	A
	248mm	194mm	82mm	16.5mm	110mm	
4"	10.24"	7.87"	3.23"	0.67"	5.98"	B
	260mm	200mm	82mm	17mm	152mm	
6"	11.47"	10.29"	4.94"	0.98"	7.48"	B
	291.4mm	261.4mm	125.4mm	25mm	190mm	



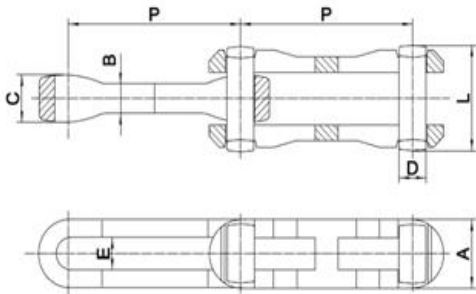
Trolley Size	Trolley Dimensions						Type
	A	B	C	D	d	L	
4"	7.87"	4.88"	4.69"	3.23"	0.67"	5.98"	A, B, C
	200mm	124mm	119mm	82mm	17mm	152mm	
6"	10.29"	6.75"	5.25"	4.94"	0.98"	7.48"	A, B, C
	261.4mm	171.4mm	133.4mm	125.4mm	25mm	190mm	



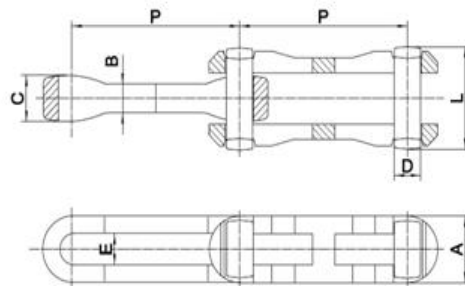
Trolley Size	Trolley Dimensions							Type
	A	B	C	D	d	H	L	
4"	7.64"	4.84"	3.98"	3.23"	0.65"	7.87"	4.33"	A
	194mm	123mm	101mm	82mm	16.5mm	200mm	110mm	
4"	7.87"	4.88"	4.69"	3.23"	0.67"	8.62"	5.98"	B
	200mm	124mm	119mm	82mm	17mm	219mm	152mm	
6"	10.29"	6.75"	5.25"	4.94"	0.98"	9.54"	7.48"	B
	261.4mm	171.4mm	133.4mm	125.4mm	25mm	242.4mm	190mm	

XT80/XT100/CC100/160/XT160


Chain No.	Pitch	Pin Diameter	Pin Length	Other Dimensions				Ultimate Tensile Strength	Type
	P	D	L	A	B	C	E	Q	
XT80	3.15"	0.51"	1.89"	1.14"	0.47"	0.79"	0.57"	24750 lbs	X
	80mm	13mm	48mm	29mm	12mm	20mm	14.5mm	110 KN	
XT100	3.94"	0.625"	2.24"	1.42"	0.63"	1"	0.69"	47250 lbs	X
	100mm	15.88mm	57mm	36mm	16mm	25.4mm	17.5mm	210 KN	



Chain No.	Pitch	Pin Diameter	Pin Length	Other Dimensions				Ultimate Tensile Strength	Type
	P	D	L	A	B	C	E	Q	
CC100	3.94"	0.625"	2.24"	1.42"	0.63"	0.98"	0.69"	47250 lbs	Regular
	100mm	15.88mm	57mm	36mm	16mm	25mm	17.5mm	210 KN	
160	6.3"	0.874"	3.03"	2"	0.82"	1.28"	1"	85500 lbs	Regular
	160mm	22.2mm	77mm	50.8mm	20.8mm	32.5mm	25.4mm	380 KN	
XT160	6.3"	0.945"	3.07"	2.13"	0.81"	1.36"	1.1"	92250 lbs	Regular
	160mm	22.2mm	78mm	54mm	20.5mm	34.5mm	28mm	410 KN	

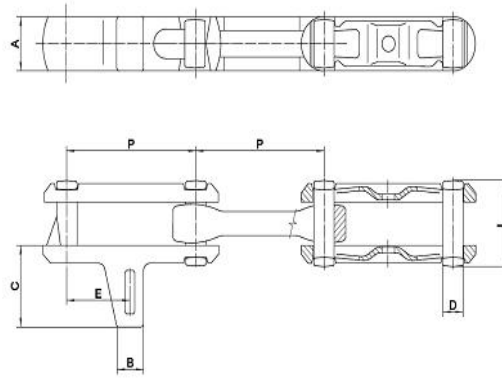


Chain No.	Pitch	Pin Diameter	Pin Length	Other Dimensions				Ultimate Tensile Strength	Type
	P	D	L	A	B	C	E	Q	
P2-80-106	80mm	12mm	48mm	29mm	13mm	18.8mm	13.5mm	106 KN	Regular
P2-80-290	80MM	18.4mm	73mm	42mm	20mm	32mm	19mm	290 KN	Regular
P2-100-220	100mm	16mm	57mm	36mm	16mm	25.4mm	17.4mm	220 KN	X

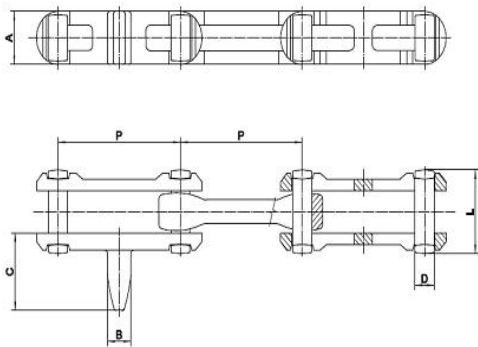
NOTE: Please consult with Camel Convey for requirements for not listed above.

Email: sales@camelconvey.com
www.camelconvey.com

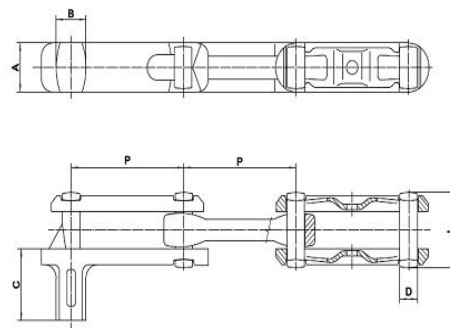
Pusher dog



Chain No.	Nominal Pitch	Actual Pitch	Pin Diameter	Pin Length	Other Dimensions			
	P		D	L	A	B	C	E
X348	3"	3.02"	0.5"	1.81"	1.1"	1"	2.36"	1.54"
	76.2mm	76.6mm	12.7mm	46mm	28mm	25.4mm	60mm	39mm



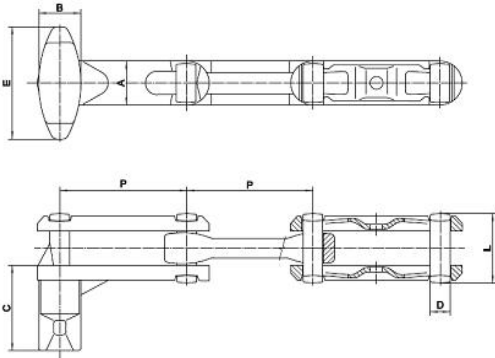
Chain No.	Nominal Pitch	Actual Pitch	Pin Diameter	Pin Length	Other Dimensions		
	P		D	L	A	B	C
678	6"	6.03"	0.87"	3.03"	2"	1.18"	3.23"
	152.4mm	153.2mm	22mm	77mm	50.8mm	30mm	82mm
160	6.03"	6.3"	0.87"	3.03"	2"	1.18"	3.11"
	160mm	160mm	22mm	77mm	50.8mm	30mm	79mm



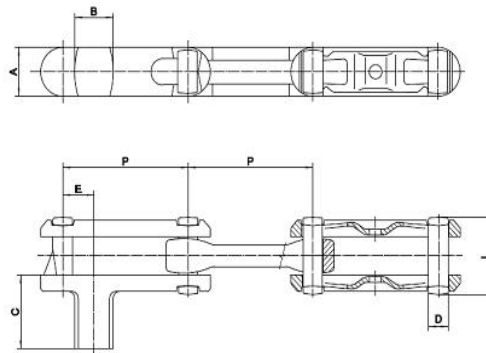
Chain No.	Nominal Pitch	Actual Pitch	Pin Diameter	Pin Length	Other Dimensions		
	P		D	L	A	B	C
X678	6"	6.03"	0.87"	3.03"	2"	1.42"	2.52"
	152.4mm	153.2mm	22mm	77mm	50.8mm	36mm	64mm
X678	6"	6.03"	0.87"	3.03"	2"	1.38"	3.31"
	152.4mm	153.2mm	22mm	77mm	50.8mm	35mm	84mm

NOTE: Please consult with Camel Convey for requirements for not listed above.

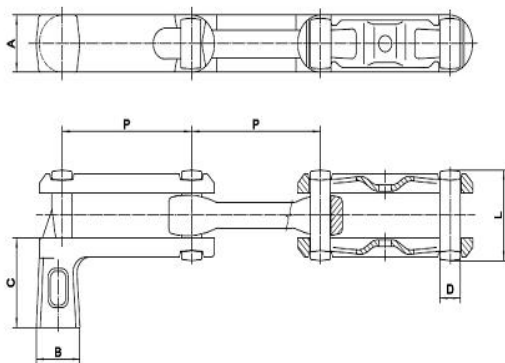
Email: sales@camelconvey.com
www.camelconvey.com



Chain No.	Nominal Pitch	Actual Pitch	Pin Diameter	Pin Length	Other Dimensions			
	P		D	L	A	B	C	E
X348	3"	3.02"	0.5"	1.81"	1.1"	1.06"	2.38"	2.95"
	76.2mm	76.6mm	12.7mm	46mm	28mm	27mm	60.5mm	75mm
X458	4"	4.03"	0.625"	2.24"	1.42"	1.34"	2.77"	3.62"
	101.6mm	102.4mm	15.88mm	57mm	36mm	34mm	70.3mm	92mm
X678	6"	6.03"	0.87"	3.03"	2"	1.42"	3.23"	3.94"
	152.4mm	153.2mm	22mm	77mm	50.8mm	36mm	82mm	100mm



Chain No.	Nominal Pitch	Actual Pitch	Pin Diameter	Pin Length	Other Dimensions			
	P		D	L	A	B	C	E
X458	4"	4.03"	0.625"	2.24"	1.42"	1.24"	2.22"	1"
	101.6mm	102.4mm	15.88mm	57mm	36mm	31.5mm	56.3mm	25.4mm



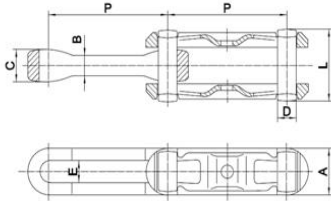
Chain No.	Nominal Pitch	Actual Pitch	Pin Diameter	Pin Length	Other Dimensions		
	P		D	L	A	B	C
X458	4"	4.03"	0.625"	2.24"	1.42"	1.36"	2.24"
	101.6mm	102.4mm	15.88mm	57mm	36mm	34.5mm	57mm

NOTE: Please consult with Camel Convey for requirements for not listed above.

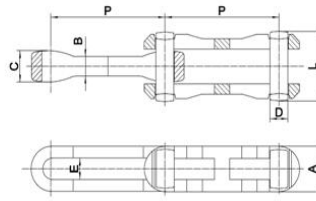
Email: sales@camelconvey.com
www.camelconvey.com



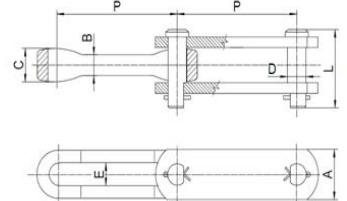
X-Type



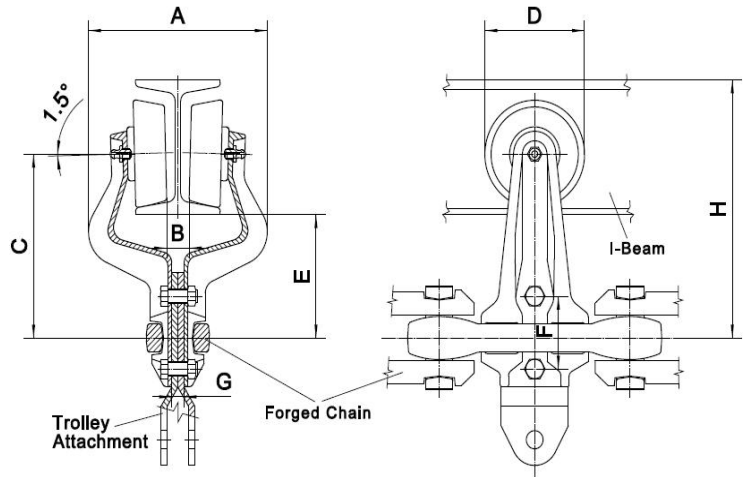
Regular-Type



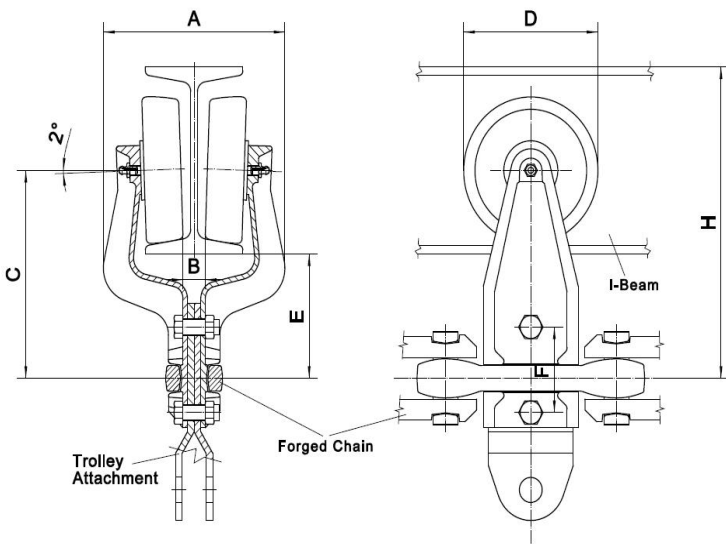
S-Type



Chain NO.	Normal Pitch	Actual Pitch	Pin Diameter	Pin Length	Other Dimensions				Ultimate Tensile Strength
	P	P	D	L	A	B	C	E	Q
X678	6"	6.03"	0.874"	3.03"	2"	0.83"	1.26"	0.98"	8550lbs
	152.4mm	153.2mm	22.2mm	77mm	50.8mm	21mm	32mm	25mm	380KN
X458	4"	4.03"	0.625"	2.244"	1.42"	0.63"	1"	0.685"	47250lbs
	101.6mm	102.4mm	15.88mm	57mm	36mm	16mm	25.4mm	17.4mm	210KN
X348	3"	3.02"	0.50"	1.81"	1.1"	0.52"	0.74"	0.57"	24750lbs
	76.20mm	76.6mm	12.7mm	46mm	28mm	13.2mm	18.8mm	14.4mm	110KN



Trolley Size	Matched Chain	Trolley Dimensions								Trolley Capacity	Type
		A	B	C	D	E	F	G	H		
4x6"	678	5.51"	0.71"	5.32"	3.23"	3.44"	2.13"	0.39"	7.44"	180kg	B
		140mm	18mm	135mm	82mm	87.5mm	54mm	10mm	188.9mm		



Trolley Size	Matched Chain	Trolley Dimensions								Trolley Capacity	Type
		A	B	C	D	E	F	G	H		
6"	678, 160	6.38"	0.75"	6.69"	4.72"	4.02"	2.76"	0.47"	10"	540kg	B
		162mm	19mm	170mm	120mm	102mm	70mm	12mm	254mm		

NOTE: Please consult with Camel Convey for requirements for not listed above.

Email: sales@camelconvey.com
www.camelconvey.com