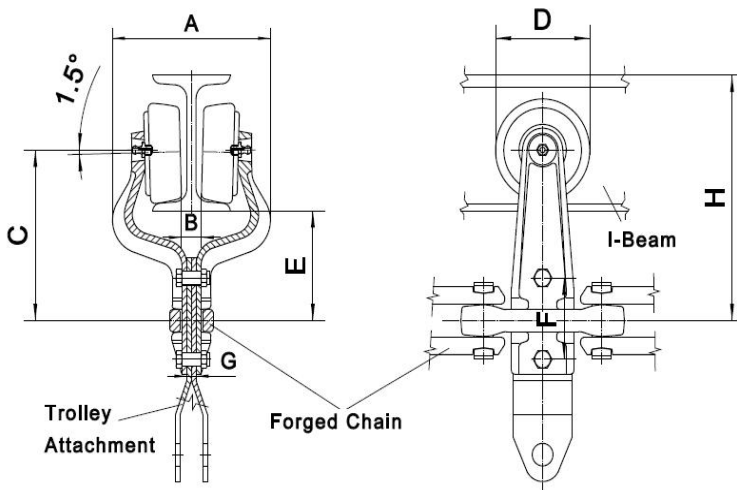


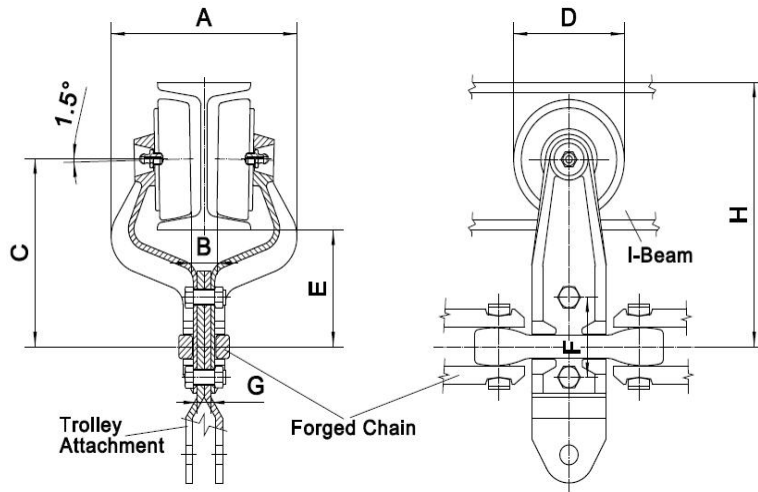
| Trolley Size | Matched Chain | Trolley Dimensions | | | | Trolley Capacity | Type |
|--------------|---------------|--------------------|-------|--------|-------|------------------|------|
| | | B | C | D | F | | |
| 2" | 228 | 0.225" | 2.44" | 1.95" | 0.35" | 54kg | C |
| | | 5.7mm | 62mm | 49.5mm | 9mm | | |



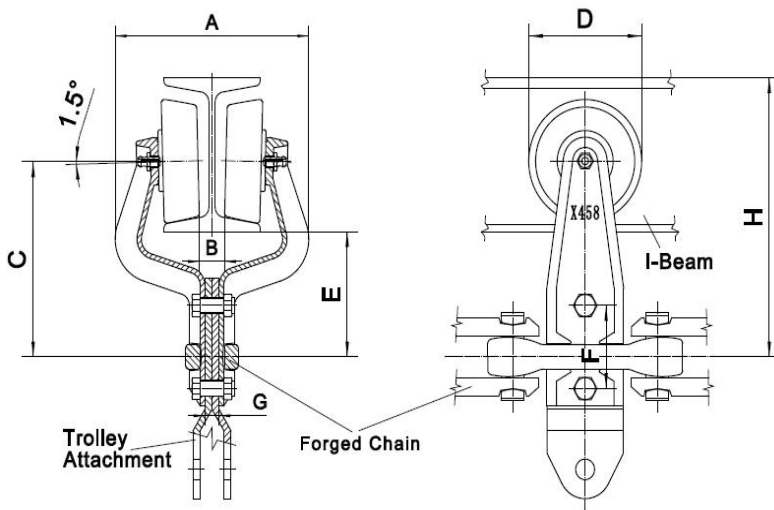
| Trolley Size | Matched Chain | Trolley Dimensions | | | | | | | | Trolley Capacity | Type |
|--------------|---------------|--------------------|-------|-------|--------|--------|--------|-------|---------|------------------|------|
| | | A | B | C | D | E | F | G | H | | |
| 3" | 348, 80 | 4.02" | 0.55" | 3.94" | 2.35" | 2.50" | 1.88" | 0.24" | 5.5" | 90kg | A, C |
| | | 102mm | 14mm | 100mm | 59.6mm | 63.5mm | 47.8mm | 6mm | 139.7mm | | |

NOTE: Please consult with Camel Convey for requirements for not listed above.

Email: sales@camelconvey.com
www.camelconvey.com



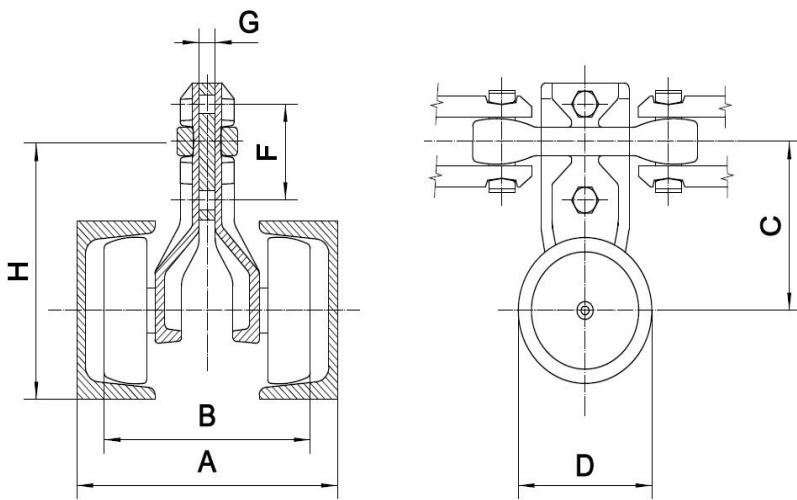
| Trolley Size | Matched Chain | Trolley Dimensions | | | | | | | | Trolley Capacity | Type |
|--------------|---------------|--------------------|-------|---------|-------|-------|-------|-------|---------|------------------|------|
| | | A | B | C | D | E | F | G | H | | |
| 4" | 458, 100 | 5.35" | 0.71" | 5.06" | 3.19" | 3.19" | 2.13" | 0.39" | 7.187" | 180kg | A |
| | | 136mm | 18mm | 128.6mm | 81mm | 81mm | 54mm | 10mm | 182.6mm | | |
| 4" | 458, 100 | 5.35" | 0.71" | 5.91" | 3.19" | 4.02" | 2.13" | 0.39" | 8" | 180kg | A |
| | | 136mm | 18mm | 150mm | 81mm | 102mm | 54mm | 10mm | 203.2mm | | |



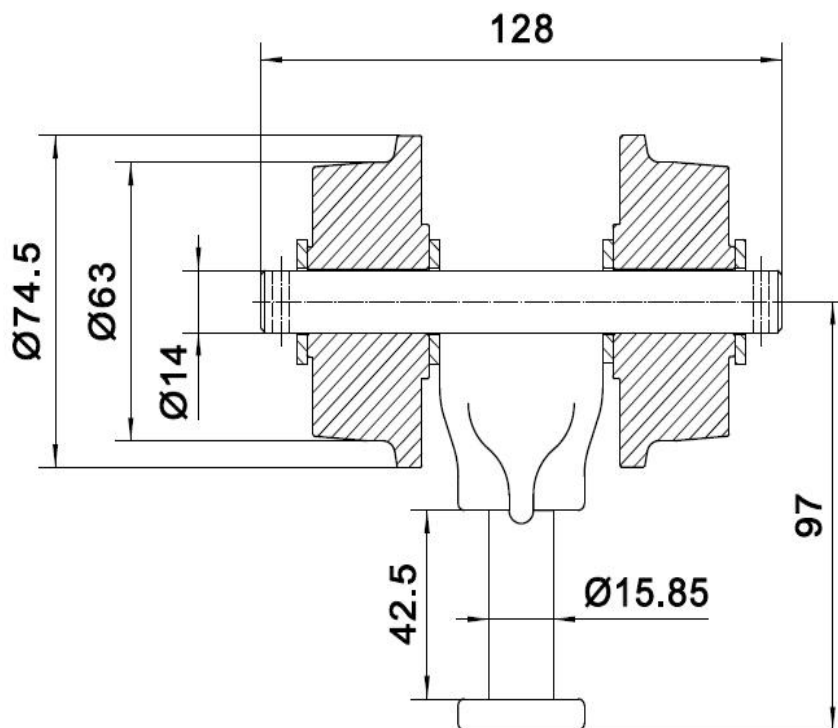
| Trolley Size | Matched Chain | Trolley Dimensions | | | | | | | | Trolley Capacity | Type |
|--------------|---------------|--------------------|-------|-------|-------|-------|-------|-------|---------|------------------|------|
| | | A | B | C | D | E | F | G | H | | |
| 4" | 458, 100 | 5.35" | 0.71" | 5" | 3.15" | 3.19" | 2.13" | 0.39" | 7.187" | 180kg | B |
| | | 136mm | 18mm | 127mm | 80mm | 81mm | 54mm | 10mm | 182.6mm | | |

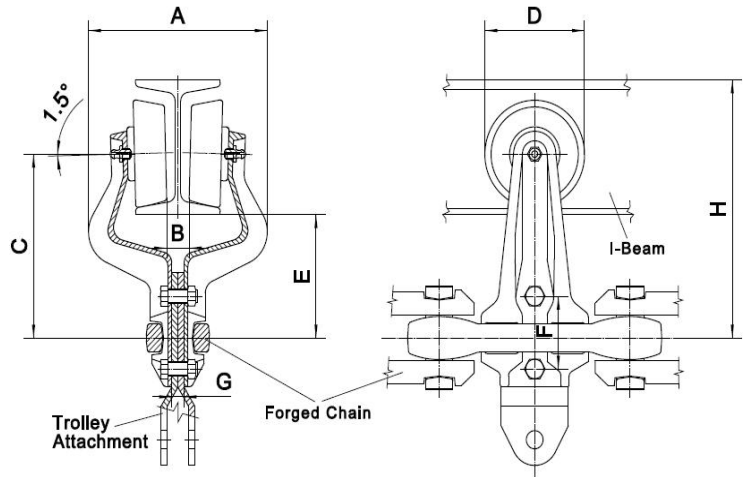
NOTE: Please consult with Camel Convey for requirements for not listed above.

Email: sales@camelconvey.com
www.camelconvey.com

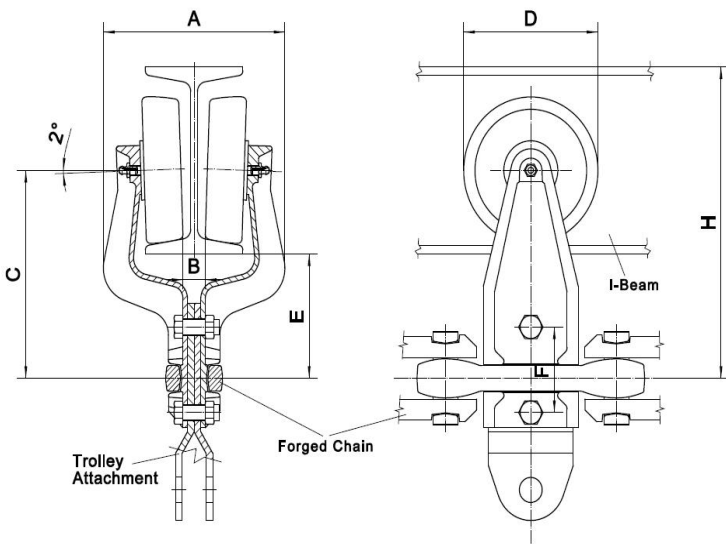


| Trolley Size | Matched Chain | Trolley Dimensions | | | | | | |
|--------------|---------------|--------------------|--------|---------|-------|-------|-------|---------|
| | | A | B | C | D | E | G | H |
| 4" | 458 | 6.30" | 04.72" | 3.72" | 3.23" | 2.13" | 0.39" | 5.37" |
| | | 160mm | 120mm | 95mm | 82mm | 54mm | 10mm | 136.5mm |
| 4" | 678 | 6.30" | 4.72" | 4.03" | 3.23" | 2.13" | 0.39" | 5.66" |
| | | 160mm | 120mm | 102.4mm | 82mm | 54mm | 10mm | 143.7mm |





| Trolley Size | Matched Chain | Trolley Dimensions | | | | | | | | Trolley Capacity | Type |
|--------------|---------------|--------------------|-------|-------|-------|--------|-------|-------|---------|------------------|------|
| | | A | B | C | D | E | F | G | H | | |
| 4x6" | 678 | 5.51" | 0.71" | 5.32" | 3.23" | 3.44" | 2.13" | 0.39" | 7.44" | 180kg | B |
| | | 140mm | 18mm | 135mm | 82mm | 87.5mm | 54mm | 10mm | 188.9mm | | |



| Trolley Size | Matched Chain | Trolley Dimensions | | | | | | | | Trolley Capacity | Type |
|--------------|---------------|--------------------|-------|-------|-------|-------|-------|-------|-------|------------------|------|
| | | A | B | C | D | E | F | G | H | | |
| 6" | 678, 160 | 6.38" | 0.75" | 6.69" | 4.72" | 4.02" | 2.76" | 0.47" | 10" | 540kg | B |
| | | 162mm | 19mm | 170mm | 120mm | 102mm | 70mm | 12mm | 254mm | | |

NOTE: Please consult with Camel Convey for requirements for not listed above.

Email: sales@camelconvey.com
www.camelconvey.com