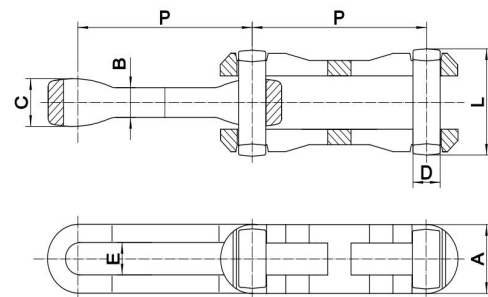
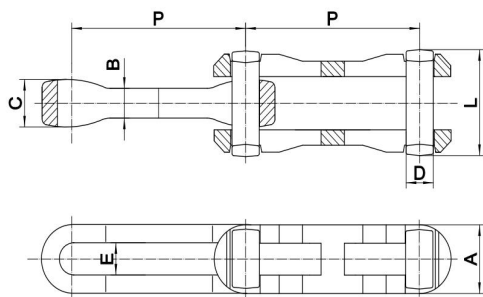


Chain No.	Pitch	Pin Diameter	Pin Length	Other Dimensions				Ultimate Tensile Strength	Type
	P	D	L	A	B	C	E	Q	
XT100	3.94"	0.625"	2.24"	1.42"	0.63"	1"	0.69"	47250 lbs	X
	100mm	15.88mm	57mm	36mm	16mm	25.4mm	17.5mm	210 KN	
XT80	3.15"	0.51"	1.89"	1.14"	0.47"	0.79"	0.57"	24750 lbs	X
	80mm	13mm	48mm	29mm	12mm	20mm	14.5mm	110 KN	



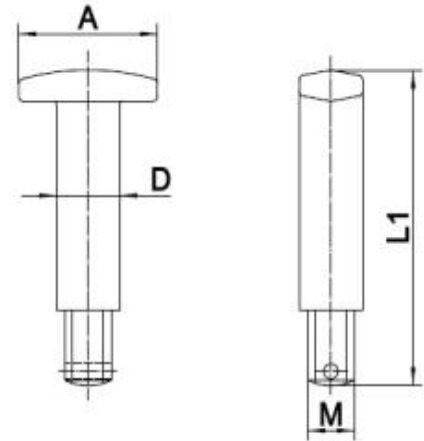
Chain No.	Pitch	Pin Diameter	Pin Length	Other Dimensions				Ultimate Tensile Strength	Type
	P	D	L	A	B	C	E	Q	
CC100	3.94"	0.625"	2.24"	1.42"	0.63"	0.98"	0.69"	47250 lbs	Regular
	100mm	15.88mm	57mm	36mm	16mm	25mm	17.5mm	210 KN	
XT160	6.3"	0.945"	3.07"	2.13"	0.81"	1.36"	1.1"	92250 lbs	Regular
	160mm	22.2mm	78mm	54mm	20.5mm	34.5mm	28mm	410 KN	
160	6.3"	0.874"	3.03"	2"	0.82"	1.28"	1"	85500 lbs	Regular
	160mm	15.88mm	77mm	50.8mm	20.8mm	32.5mm	25.4mm	380 KN	



Chain No.	Pitch	Pin Diameter	Pin Length	Other Dimensions				Ultimate Tensile Strength	Type
	P	D	L	A	B	C	E	Q	
P2-80-106	80mm	12mm	48mm	29mm	13mm	18.8mm	13.5mm	106 KN	Regular
P2-80-290	80MM	18.4mm	73mm	42mm	20mm	32mm	19mm	290 KN	Regular
P2-100-220	100mm	16mm	57mm	36mm	16mm	25.4mm	17.4mm	220 KN	X

NOTE: Please consult with Camel Convey for requirements for not listed above.

Email:sales@camelconvey.com  
www.camelconvey.com

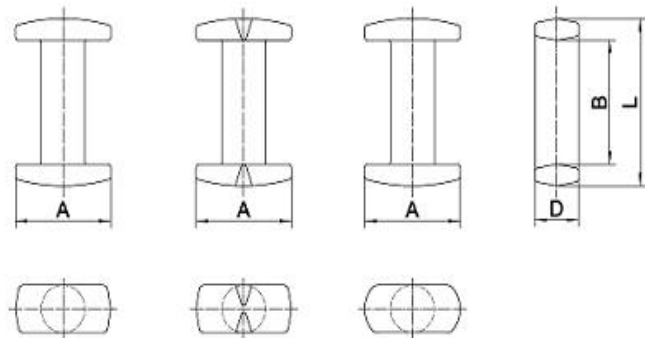


Master Pin

Standard type

Oil groove type

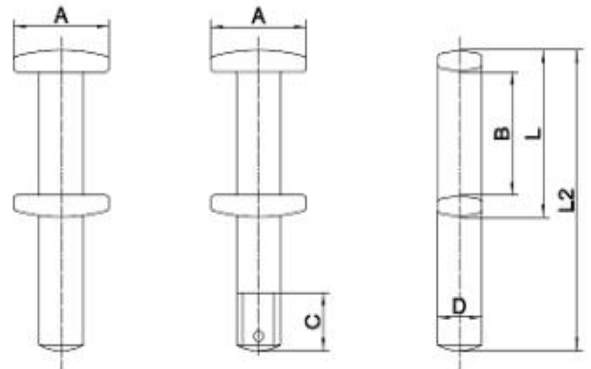
Smooth type



Regular Pin

TYPE - 1

TYPE - 2

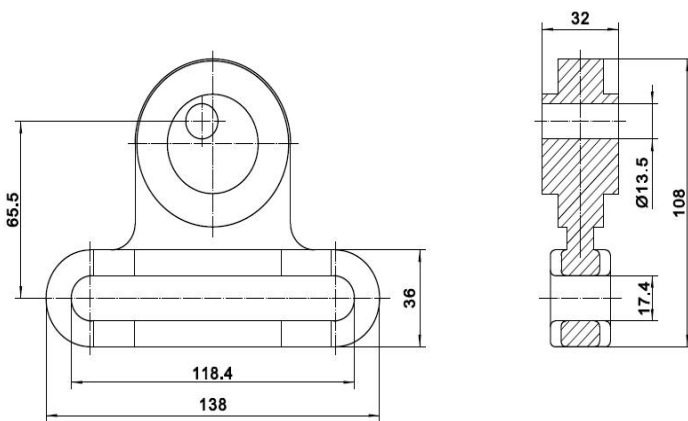
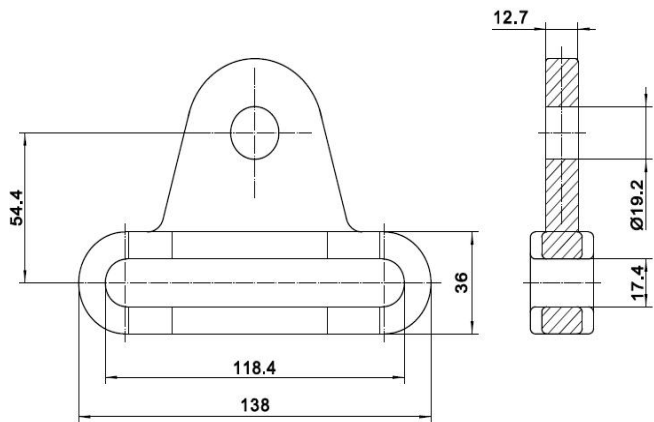
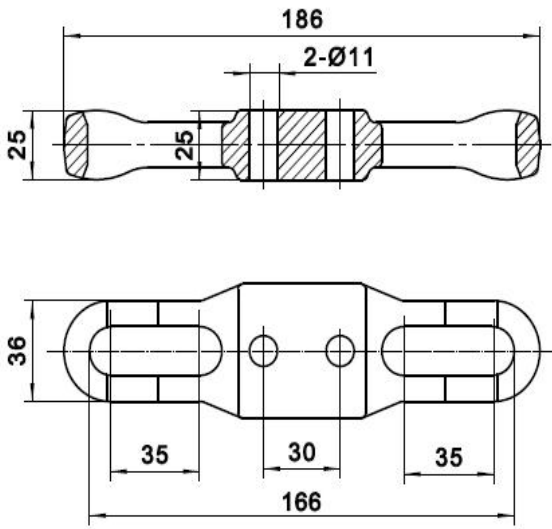


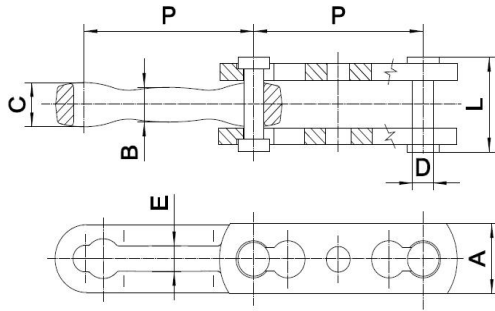
Extended Pin

Chain Size	Pitch	Pin Diameter	Pin Length	Other Dimensions					
	P	D	L	A	B	C	M	L1	L2
X678	6"	0.874"	3.03"	1.89"	2.26"	1.14"	0.63"	3.86"	5.35"
	152.4mm	22.2mm	77mm	48mm	57.5mm	29mm	16mm	98mm	136mm
X458	4"	0.625"	2.24"	1.26"	1.635"	0.98"	0.47"	3.19"	4.41"
	101.6mm	15.88mm	57mm	32mm	41.5mm	25mm	12mm	81mm	112mm
X348	3"	0.5"	1.81"	0.98"	1.3"	-	-	-	-
	76.2mm	12.7mm	46mm	25mm	33mm	-	-	-	-

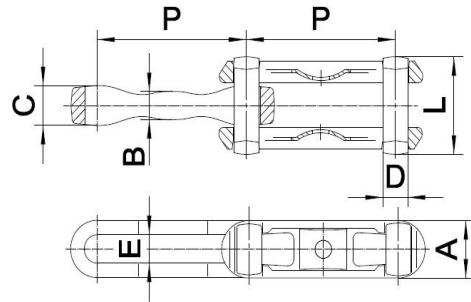
NOTE: Please consult with Camel Convey for requirements for not listed above.

Email:sales@camelconvey.com  
www.camelconvey.com



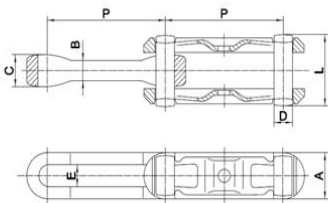


Chain Size	Pitch	Pin Diameter	Pin Length	Other Dimensions				Ultimate Tensile Strength	Type
	P	D	L	A	B	C	E	Q	
S228	2"	0.25"	1.04"	0.756"	0.382"	0.49"	0.256"	6000 lbs	S
	50.8mm	6.3mm	26.5mm	19.2mm	9.7mm	12.4mm	6.5mm	27KN	

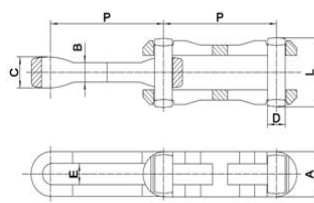


Chain Size	Pitch	Pin Diameter	Pin Length	Other Dimensions				Ultimate Tensile Strength	Type
	P	D	L	A	B	C	E	Q	
X228	2"	0.25"	1.16"	0.71"	0.37"	0.47"	0.315"	6000 lbs	X
	50.8mm	6.35mm	29.5mm	18mm	9.4mm	12mm	8mm	27KN	

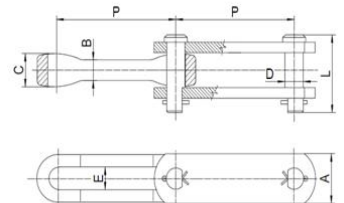
### X-Type



### Regular-Type



### S-Type



Chain NO.	Normal Pitch	Actual Pitch	Pin Diameter	Pin Length	Other Dimensions				Ultimate Tensile Strength
	P		D	L	A	B	C	E	Q
X348	3"	3.02"	0.50"	1.81"	1.1"	0.52"	0.74"	0.57"	24750lbs
	76.20mm	76.6mm	12.7mm	46mm	28mm	13.2mm	18.8mm	14.4mm	110KN
X458	4"	4.03"	0.625"	2.244"	1.42"	0.63"	1"	0.685"	47250lbs
	101.6mm	102.4mm	15.88mm	57mm	36mm	16mm	25.4mm	17.4mm	210KN
X400	4"	4"	0.625"	2.244"	1.42"	0.63"	1"	0.685"	47250lbs
	101.6mm	101.6mm	15.88mm	57mm	36mm	16mm	25.4mm	17.4mm	210KN
X658	6"	6.03"	0.625"	2.244"	1.42"	0.63"	1.02"	0.69"	47250lbs
	152.4mm	153.2mm	15.88mm	57mm	36mm	16mm	25.8mm	17.5mm	210KN
X678	6"	6.03"	0.874"	3.03"	2"	0.83"	1.26"	0.98"	85500lbs
	152.4mm	153.2mm	22.2mm	77mm	50.8mm	21mm	32mm	25mm	380KN

NOTE: Please consult with Camel Convey for requirements for not listed above.

Email: [sales@camelconvey.com](mailto:sales@camelconvey.com)  
[www.camelconvey.com](http://www.camelconvey.com)